

**GROVE**

VARIANTEN RAD KPL.  
VARIANTS WHEEL CPL.

BILDTAFEL  
PICTORIAL DISPLAY

**GMK4080-3**

05.21

**3055056-ETL M**

1/3

**385/95 R25**

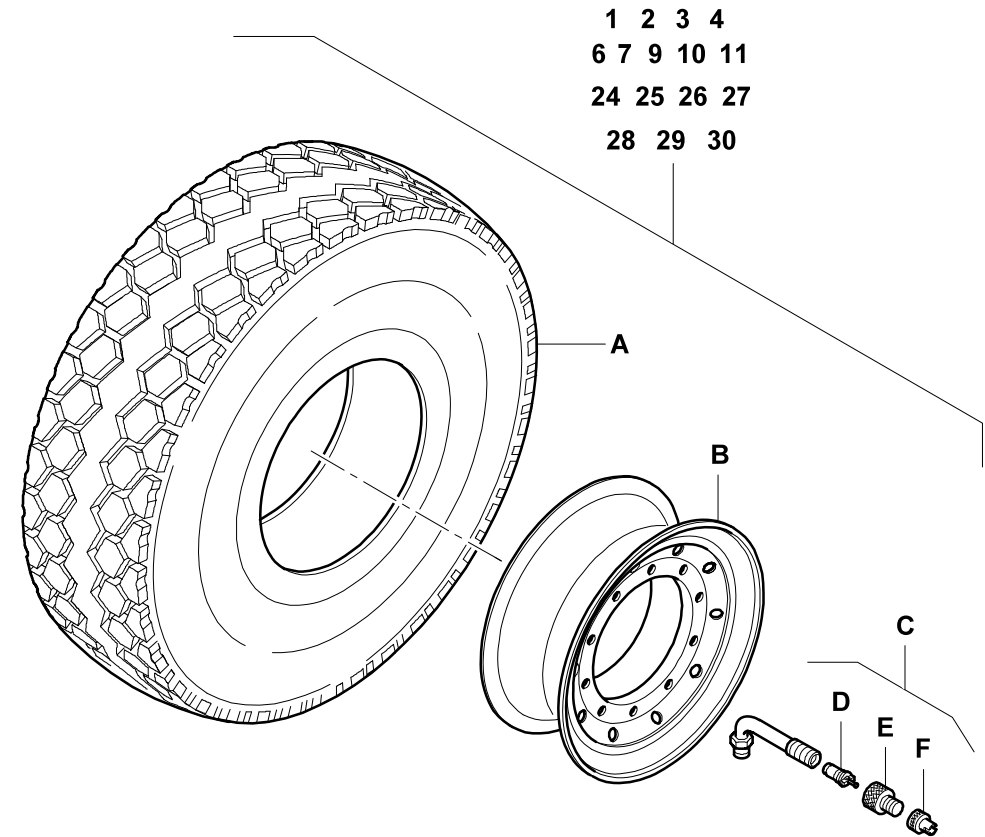
|          | 1              | 2              | 3              | 28             | 24             | 25             |
|----------|----------------|----------------|----------------|----------------|----------------|----------------|
| <b>A</b> | <b>3297143</b> | <b>3133543</b> | <b>2318150</b> | <b>4346420</b> | <b>3133543</b> | <b>2318150</b> |
| <b>B</b> | <b>2252792</b> |                |                | <b>4243397</b> |                |                |
| <b>C</b> | <b>0557074</b> |                |                |                |                |                |
| <b>D</b> | <b>3329704</b> |                |                |                |                |                |
| <b>E</b> | <b>3329705</b> |                |                |                |                |                |
| <b>F</b> | <b>3329703</b> |                |                |                |                |                |

**445/95 R25**

|          | 4              | 6              | 7              | 29             | 26             | 27             |
|----------|----------------|----------------|----------------|----------------|----------------|----------------|
| <b>A</b> | <b>3252599</b> | <b>3325848</b> | <b>2318151</b> | <b>4292770</b> | <b>3325848</b> | <b>2318151</b> |
| <b>B</b> | <b>3055059</b> |                |                | <b>4308940</b> |                |                |
| <b>C</b> | <b>0557074</b> |                |                |                |                |                |
| <b>D</b> | <b>3329704</b> |                |                |                |                |                |
| <b>E</b> | <b>3329705</b> |                |                |                |                |                |
| <b>F</b> | <b>3329703</b> |                |                |                |                |                |

**525/80 R25**

|          | 9              | 10             | 11             | 30             |
|----------|----------------|----------------|----------------|----------------|
| <b>A</b> | <b>3297145</b> | <b>3226600</b> | <b>3315303</b> | <b>4346425</b> |
| <b>B</b> | <b>2310279</b> |                |                | <b>4243399</b> |
| <b>C</b> | <b>0557074</b> |                |                |                |
| <b>D</b> | <b>3329704</b> |                |                |                |
| <b>E</b> | <b>3329705</b> |                |                |                |
| <b>F</b> | <b>3329703</b> |                |                |                |



**GROVE**

VARIANTEN RAD KPL.  
VARIANTS WHEEL CPL.

BILDTAFEL  
PICTORIAL DISPLAY

**GMK4080-3**

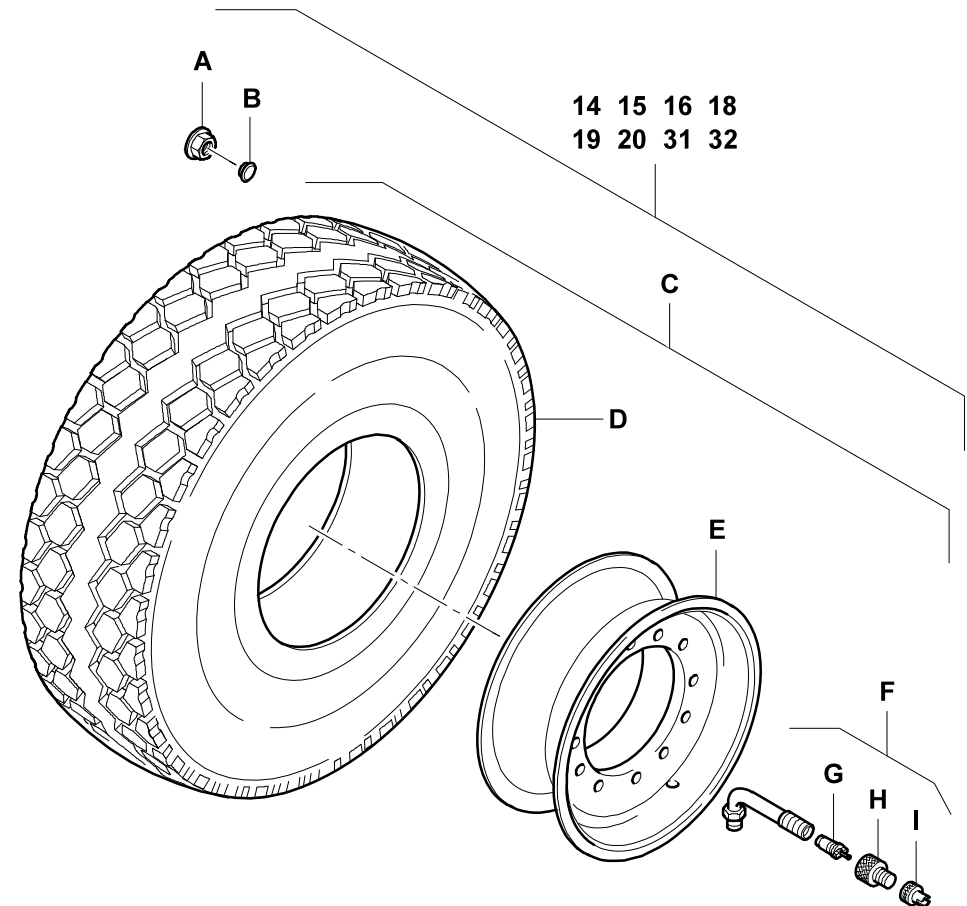
05.21

**3055056-ETL M**

2/3

| <b>AL 385/95 R25</b> |                   |                |                |                |
|----------------------|-------------------|----------------|----------------|----------------|
|                      | 14                | 15             | 16             | 31             |
| <b>A</b>             | <b>7659100000</b> |                |                |                |
| <b>B</b>             | <b>80038328</b>   |                |                |                |
| <b>C</b>             | <b>4240874</b>    | <b>3297526</b> | <b>3297527</b> | <b>4346406</b> |
| <b>D</b>             | <b>3297143</b>    | <b>3133543</b> | <b>2318150</b> | <b>4346420</b> |
| <b>E</b>             | <b>3260560</b>    |                |                |                |
| <b>F</b>             | <b>0557074</b>    |                |                |                |
| <b>G</b>             | <b>3329704</b>    |                |                |                |
| <b>H</b>             | <b>3329705</b>    |                |                |                |
| <b>I</b>             | <b>3329703</b>    |                |                |                |

| <b>AL 445/95 R25</b> |                   |                |                |                |
|----------------------|-------------------|----------------|----------------|----------------|
|                      | 18                | 19             | 20             | 32             |
| <b>A</b>             | <b>7659100000</b> |                |                |                |
| <b>B</b>             | <b>80038328</b>   |                |                |                |
| <b>C</b>             | <b>4240876</b>    | <b>4188514</b> | <b>4188515</b> | <b>4346414</b> |
| <b>D</b>             | <b>3252599</b>    | <b>3325848</b> | <b>2318151</b> | <b>4292770</b> |
| <b>E</b>             | <b>3249201</b>    |                |                |                |
| <b>F</b>             | <b>0557074</b>    |                |                |                |
| <b>G</b>             | <b>3329704</b>    |                |                |                |
| <b>H</b>             | <b>3329705</b>    |                |                |                |
| <b>I</b>             | <b>3329703</b>    |                |                |                |



**GROVE**

VARIANTEN RAD KPL.

VARIANTS WHEEL CPL.

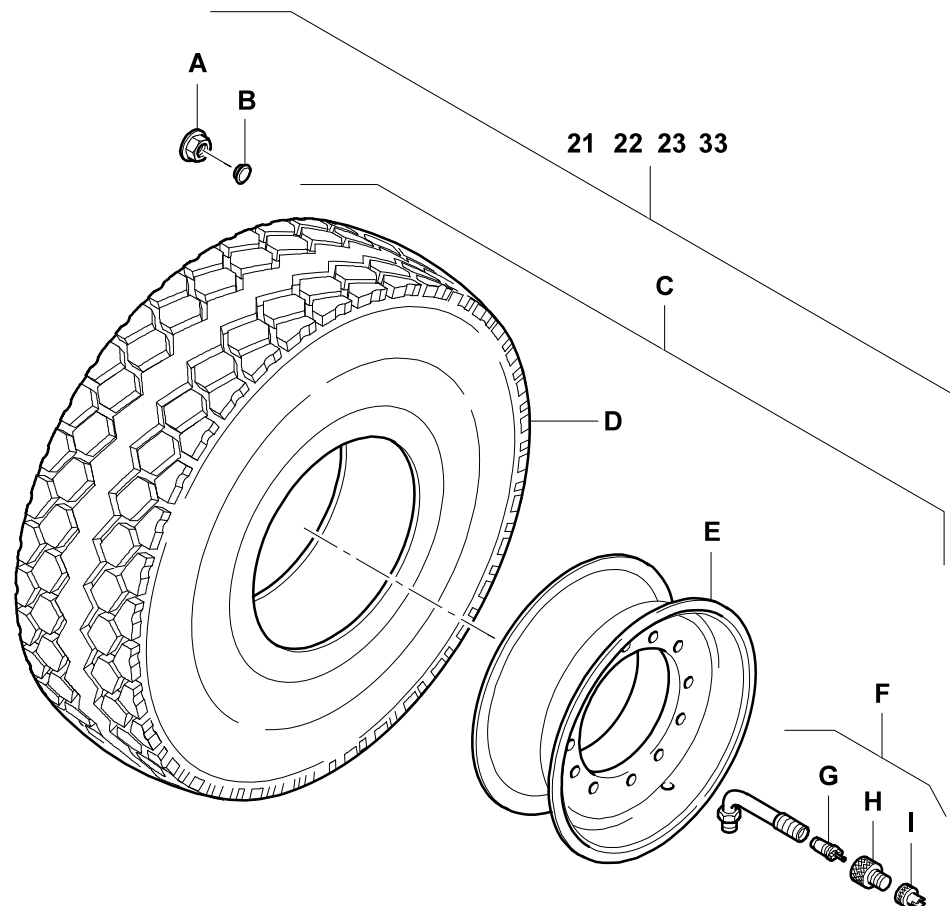
BILDTAFFEL  
PICTORIAL DISPLAY**GMK4080-3**

05.21

**3055056-ETL M**

3/3

| <b>AL 525/80 R25</b> |                   |                |                |                |
|----------------------|-------------------|----------------|----------------|----------------|
|                      | <b>21</b>         | <b>22</b>      | <b>23</b>      | <b>33</b>      |
| <b>A</b>             | <b>7659100000</b> |                |                |                |
| <b>B</b>             | <b>80038328</b>   |                |                |                |
| <b>C</b>             | <b>4240878</b>    | <b>3297545</b> | <b>3297546</b> | <b>4346408</b> |
| <b>D</b>             | <b>3297145</b>    | <b>3226600</b> | <b>3315303</b> | <b>4346425</b> |
| <b>E</b>             | <b>3249210</b>    |                |                |                |
| <b>F</b>             | <b>0557074</b>    |                |                |                |
| <b>G</b>             | <b>3329704</b>    |                |                |                |
| <b>H</b>             | <b>3329705</b>    |                |                |                |
| <b>I</b>             | <b>3329703</b>    |                |                |                |



3055056-M-BL03-0521-0000